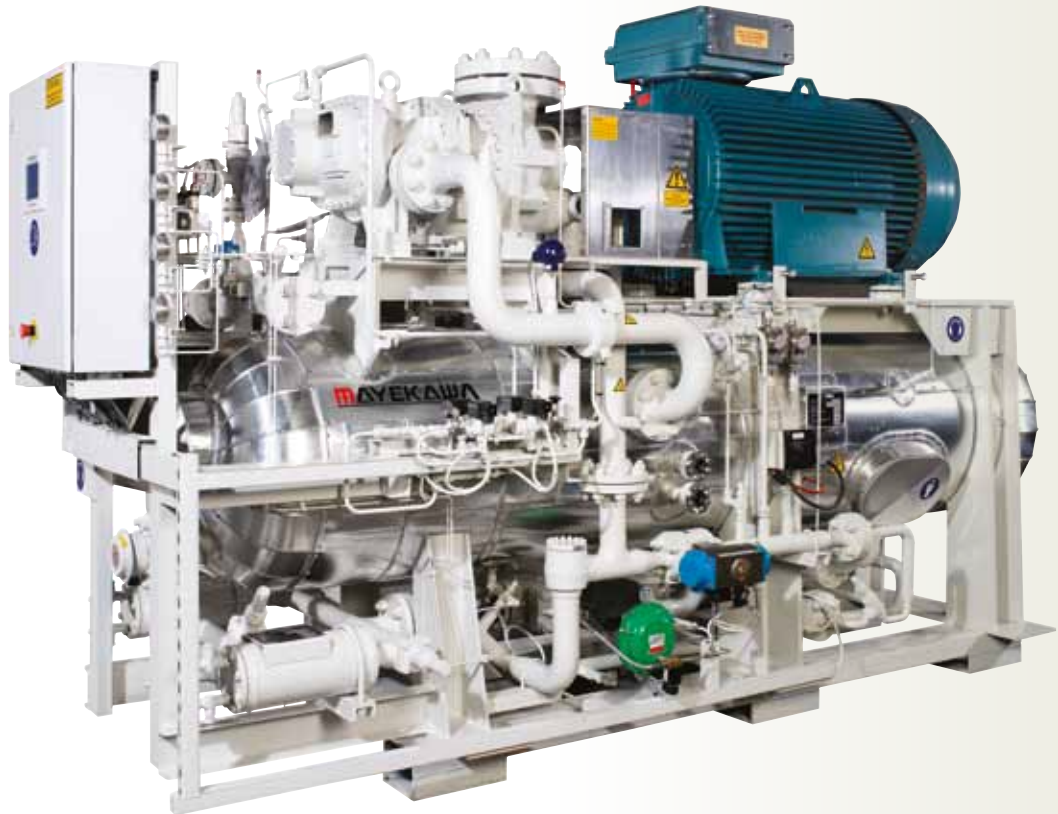




HIGH PRESSURE SCREW COMPRESSOR

# GH-Series

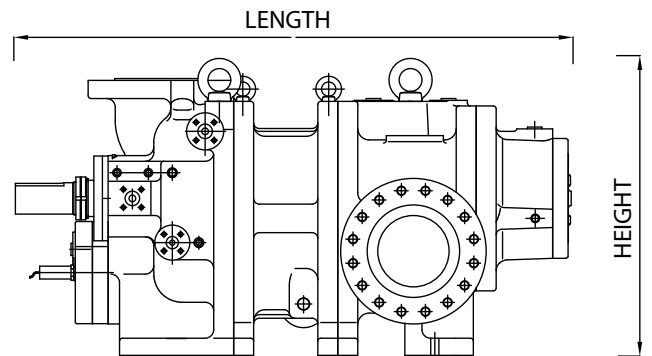
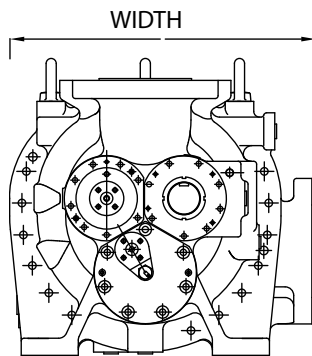


### The GH-series

is a series of oil injection type screw compressors capable of running continuously at a discharge pressure of 50 barG. By employing a special rotor profile the GH-series enables a highly efficient operation. The GH-series compressors are designed for various gases: Hydrocarbons, Helium, Hydrogen, CO<sub>2</sub>, NH<sub>3</sub> and others. Therefore these compressors are ideal for such applications as high pressure fuel gas supply to gas turbines, low temperature freezing systems on CO<sub>2</sub> with a defrost cycle, ammonia heat pumps, etc.

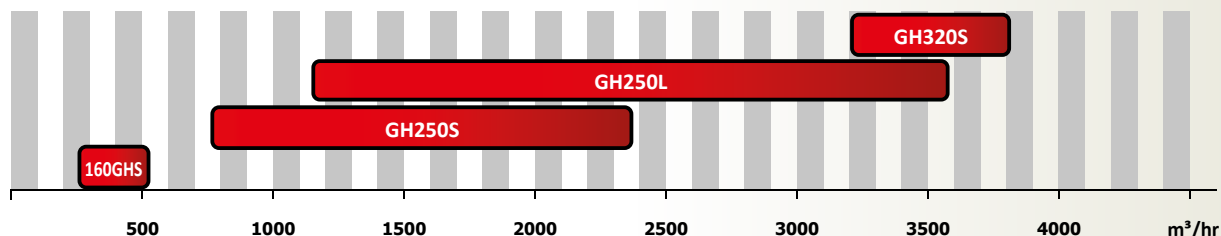
In the GH-series compressors we are using forged steel for the rotors and tilting pads for the thrust bearings<sup>1)</sup>, which results in longer maintenance intervals and, consequently, lower running costs. The GH-series compressors are compliant with API619, EN-378 ATEX, NACE and other standards and are being successfully applied in a great number of fields.

1) Excluded 160GHS



UNIT TYPE	WEIGHT (kg)	WIDTH (mm)	LENGTH (mm)	HEIGHT (mm)
160GHS	570	510	1021	510
GH250S	2250	785	1568	680
GH250L	2410	785	1711	680
GH320S	5000	1095	1938	970

opt Volume  
V<sub>th</sub>



Item		Unit	Description			
Model			160GHS-V	GH250S	GH250L	GH320S
Handling Gas			CO <sub>2</sub> , NH <sub>3</sub>	CO <sub>2</sub> , NH <sub>3</sub> , Hydrocarbon, Helium, Hydrogen and other gases		
Design Running Condition	Suction Pressure	BarG	5,5	10	30	30
	Discharge Pressure	BarG	45	50	37	50
	Minimum Suction Gas Temperature	°C	-55	30		
	Maximum Discharge Gas Temperature	°C	100°C for setting rotor clearance			
Design Condition	Design Pressure of Casing	BarG	60			
	"Maximum Allowable Working Pressure"	BarG	50 <sup>1)</sup>	50		
	"Maximum Allowable Suction Pressure"	BarG	20 (start up: 25)	20	20	30
	Minimum Allowable Suction Pressure	BarG	0,5			
	Minimum Pressure Differential Between Suction and Discharge	BarG	9	12		5
	Maximum Allowable Discharge Temperature	°C	100			
	Maximum Drive Shaft Speed	rpm	3600	4500	4500	3600
	Minimum Drive Shaft Speed	rpm	1800	1450	1450	2950
Compressor Data	Rotor Profile	-	MYCOM Original			
	Numbre of lobes / Male Rotor	-	5			
	Numbre of lobes / Female Rotor	-	7			
	Vi Control Range	-	1.8, 4.6	2.3, 3.3, 4.5	1,3	1.3, 2.3, 3.3, 4.5

1) Le fonctionnement à 50 bar est limité à 20% de la plage d'utilisation total.

• Le tableau ci-dessus est susceptible d'être modifié sans préavis.

# MAYEKAWA

## MYCOM

### WORLDWIDE

- 35 countries / 122 offices
- 8 production plants



## MAYEKAWA

### Europe Organization

#### SWITZERLAND

Rosenbergstrasse 31, 6300 Zug  
Tel. +41 41 726 8626  
Fax +41 41 726 8620  
<http://www.mayekawa.ch>  
E-mail [info@mayekawa.ch](mailto:info@mayekawa.ch)

#### SPAIN

Calle Montevideo 5, Nave 13  
Pol. Industrial Camporroso  
28806 Alcala de Henares, Madrid  
Tel. +34 91 830 0392  
Fax +34 91 830 0397  
<http://www.mayekawa.es>  
E-mail [mayekawa@mayekawa.es](mailto:mayekawa@mayekawa.es)

#### GERMANY

##### Munich Office

Untere Bahnhofstrasse 38a, 82110 Germering  
Tel. +49 89 5527 989 0  
Fax +49 89 5527 989 19

##### Hamburg Office

Weidestraße 122a, 22083 Hamburg  
Tel. +49 40 27889149 0  
Fax +49 40 27889149 9  
E-mail [info@mayekawa.de](mailto:info@mayekawa.de)

#### FRANCE

##### East Branch Office

9, Rue Michael Faraday  
78180 Montigny-Le-Bretonneux  
Tel. +33 1 30 58 26 00  
Fax +33 1 30 58 19 37

##### West Branch Office

6, Square des Pruniers  
22400 Lamballe  
Tel. +33 2 96 76 59 13  
Fax +33 1 30 58 19 37  
E-mail [mayekawa.france@mayekawa.eu](mailto:mayekawa.france@mayekawa.eu)

#### UNITED KINGDOM

16 Oakhurst Gardens  
DA7 5JP Bexleyheath, Kent  
Tel. +44 1322 433558  
Fax +44 1322 433164

#### RUSSIA

Office 228, Korovy Val St. 7  
119049 Moscow  
Tel. +7 499 230 01 76  
Fax +7 499 230 21 12  
<http://www.mayekawa.ru>  
E-mail [info@mayekawa.ru](mailto:info@mayekawa.ru)

#### BULGARIA

Kamen Andreev Str. 24, 1303 Sofia  
Tel. +359 2 8910130  
Fax +359 2 8910131

#### DUBAI

P.O.Box 61349, W-HOUSE No.RA-08-UC05  
Jebel Ali Free Zone Dubai, UAE  
Tel. +971-4-888-6363  
Fax +971-4-888-6373

#### INDIA

Mayekawa India PVT. LTD.  
309, Centrum Plaza, Golf Course Road  
Sector-53, Gurgaon  
Haryana  
Tel. +91 124 4206611 16  
Fax +91 124 4206618

#### AUSTRALIA

Unit 2,44 McCauley Street  
NSW 2036 Matraville  
Tel. +61 2 9695 7000  
Fax +61 2 9695 7001  
<http://www.mayekawa.com.au>  
E-mail [mycomaus@mayekawa.com.au](mailto:mycomaus@mayekawa.com.au)

#### NEW ZEALAND

Unit 2, 30 Tui Street Otahuhu  
Auckland  
Tel. +68 9 276 2305  
Fax +68 9 276 2306  
E-mail [info@mayekawa.co.nz](mailto:info@mayekawa.co.nz)

#### ITALY

Via Riccardo Lombardi 19/12  
20153 Milano  
Tel. +39 2 48929218  
Fax +39 2 4531728

#### TURKEY

Dunya Ticaret Merkezi  
A/2 Blok Kat:10 No:325 Yesilkoy, Istanbul  
Tel. +90 212 465 36 31 34  
Fax +90 212 465 36 35

#### JAPAN HEAD OFFICE

3-14-15 Botan Koto-ku  
Tokyo 135 8482, JAPAN  
Tel. 81 3 3642 8181  
Fax 81 3 3643 7094  
E-mail [e-public@mayekawa.co.jp](mailto:e-public@mayekawa.co.jp)

#### MAYEKAWA Europe nv/sa

Leuvensesteenweg 605  
1930 Zaventem - Belgium  
Tel. +32 2 757 90 75  
Fax +32 2 757 90 23  
<http://www.mayekawa.eu>  
E-mail [info@mayekawa.eu](mailto:info@mayekawa.eu)

#### Global web site

<http://www.mayekawa.com/>