

OUR Z SERIES

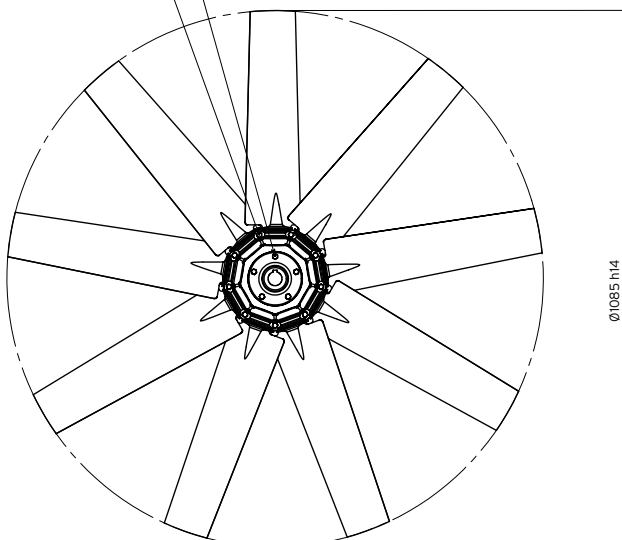
ENGLISH

DATASHEET

The Z series is one of our broadest series; therefore it can be used in just about any air moving application. It covers diameters from 315 mm to 1261 mm. As with all Multi-Wing impellers, the Z series is designed to have high efficiency and low noise level and to be corrosion resistant. It is robust yet light-weight resulting in less wear and stress on motors and bearings.

The Z series is widely used in the ventilation and cooling industry as well as in automotive applications where environmental requirements are more demanding. It also offers a suitable solution in applications that demand high performance in difficult flow conditions, where there is less focus on power consumption. The Z series also features reversible impellers designed specifically for drying applications.

5 Bolts @ M6x20 8.8/zinc BC 90
9 Bolts @ M6x30 8.8/zinc BC 189



DESIGN FEATURES

- 7 fan blades of different designs and sizes with adjustable pitch setting.
- 11 standard pitch angles ranging from 15° to 50°.
- Fan blades for both clockwise and counter-clockwise rotation.
- 6 hub sizes (5, 7, 8, 9, 12 & 16 blades all symmetrically arranged), each available in a range of bore/fixing configurations. The 5-blade hub is also available in plastic.

MATERIALS

The hub parts are as standard manufactured in a pressure die cast silum alloy (EN AC-AI Si12Cu1(Fe)). The 5-blade hub is also available in a version manufactured in glass reinforced polypropylene (PPG). The fan blades are available in the following 6 materials to suit applications with different speeds and ambient temperatures.

PPG Glass reinforced polypropylene

Temperature range: -10°C to +80°C

Please observe penalty factors for temperatures above 40°C.

PAG Glass reinforced polyamide

Temperature range: -40°C to +110°C

Please observe penalty factors for temperatures above 40°C.

PAGI Glass reinforced polyamide, industrial quality

Temperature range: -40°C to +110°C

Please observe penalty factors for temperatures above 40°C.

PAGAS Anti static glass reinforced polyamide

- For explosion proof working conditions

Temperature range: -40°C to +110°C

Please observe penalty factors for temperatures above 40°C.

PAGST Vibration stabilised glass reinforced polyamide

Temperature range: -40°C to +110°C

Please observe penalty factors for temperatures above 40°C.

AL Aluminium

Temperature range: -40°C to +150°C

Standard alloy for the fan blades is (EN AC-AI Si12Cu1(Fe)).

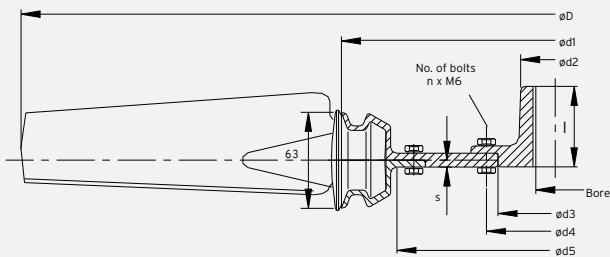
Please observe penalty factors for temperatures above 150°C.

We reserve the right to change the materials of manufacture.

The values for the mechanical properties are mean values and can be subject to variations due to the use of different suppliers.

ø D max. for blade type:							Pos. in hub	ø Bore	Hub							
1Z	2Z	3Z	4Z	5Z	6Z	ZREV			No.	Min-Max	l	d1	d2	d3	d4	d5
537	665	650	769	1031	1025	785	5	12,0 - 24,0	42, 62	145	44	55	139	72	3.5	5
537	665	650	769	1031	1025	785	5	18,5 - 22,0	18	145	40	55	139	72	3.5	5
537	665	650	769	1031	1025	785	5	23,0 - 29,0	62	145	52	55	139	72	3.5	5
578	706	691	810	1072	1066	826	7	Universal Boss (UB)		186	Universal Boss (UB)			110	3.5	(UB)
658	786	771	890	1152	1146	906	8			266	190	3.5				
592	720	705	824	1086	1080	840	9			200	131	3.5				
672	800	785	904	1166	1160	920	12			280	207	4.5				
767	895	880	999	1261	1255	1015	16			375	304	4.5				

Universal Boss (UB)							
ø Bore	l	Hub					n
		d2	d3	d4			
9,5 - 15,0	31	28	75	90			5
12,5 - 22,0	42	40	75	90			5
22,0 - 25,0	52	45	75	90			5
22,0 - 28,0	62	51	75	90			5
27,0 - 40,0	62	73	75	90			5
27,0 - 40,0	82	73	75	90			5
40,0 - 48,0	112	90	75	90			10



All dimensions are in mm. Small variations in max. diameters may occur due to different materials and casting tools.

Above are dimensions for standard solutions. Other more customised solutions are also available from stock. Visit multi-wing.com/zseries for more details.

